

## MS7820 Solaris™

**Metrologic's MS7820 Solaris vertical mini-slot scanner increases productivity with an unmatched feature set that aggressively scans high-density codes and fits easily into any existing enclosure found in small-item, high-volume retail environments.**

Designed to increase system output and lower the total cost of ownership, the MS7820 reduces on-site service costs and downtime in convenience, drug, specialty, liquor, and grocery store environments.

With an extended depth of field and advanced decoding software, cashiers can scan all standard bar codes on the first pass with minimal concern for orientation or print quality.

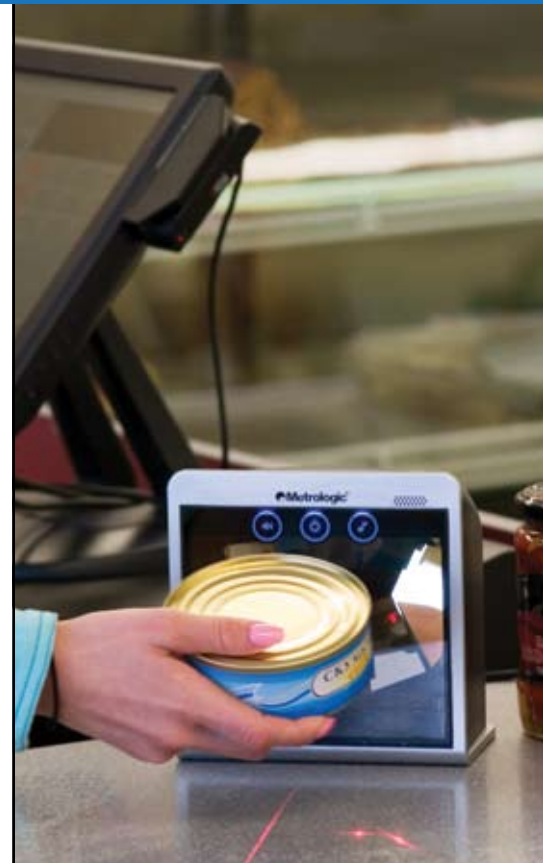
Multiple on-board interfaces make the MS7820 compatible with most POS systems, while automatic detection of the interface cable expedites system configuration. The MS7820 further simplifies integration by drawing power directly from the host's 12-volt USB or serial port.

Unlike other comparable devices, the MS7820 includes a troubleshooting visual diagnostic indicator and the capability to perform remote Flash upgrades or software configurations. For investment protection, every scanner comes standard with an integrated RF EAS antenna and the capability to perform interlock with either Checkpoint or Sensormatic systems.

The MS7820 sets itself apart from the field with a multifunctional RS232 auxiliary port that provides a single point of communication for either a hand-held scanner or external scale.

Metrologic offers the MS7820 with one of two optional flex-pole stands for countertop or wall-mounted applications. For harsh checkout environments, the MS7820 provides an optional reinforced protective window.

[www.metrologic.com/MS7820](http://www.metrologic.com/MS7820)

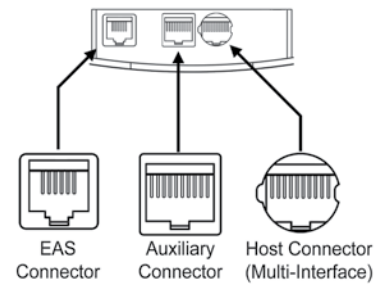
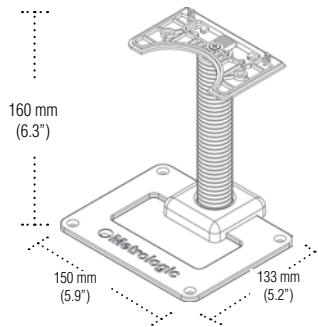
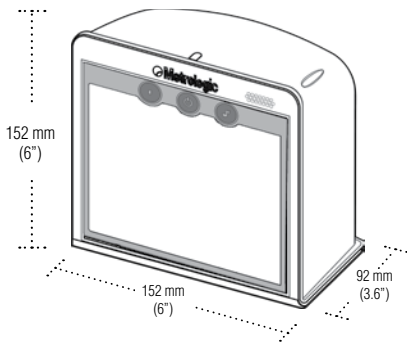


### Features

- Reads 5.0 mil bar codes
- Multiple interfaces
- Diagnostic indicator
- Remote configuration and Flash upgrade
- Draws power from host through USB or serial ports (12 V)

### Benefits

- Aggressively decodes high-density bar codes and optimizes checkout procedures
- Provides infrastructure protection and ensures compatibility with most POS systems
- Enables fast and easy troubleshooting and decreases downtime
- Eliminates on-site service expenses, reducing the total cost of ownership
- Saves space and money by reducing the number of cables



## OPERATIONAL

|                        |   |
|------------------------|---|
| Light Source           | Visible laser diode 650 nm ± 10 nm  |
| Laser Power            | 0.900 mW (peak)   |
| Decode Capability      | Auto-discriminates all standard bar codes, including GS1 DataBar™; for other symbologies call Metrologic              |
| System Interfaces      | RS232, Keyboard wedge, USB, IBM 468x/469x   |
| Number Characters Read | Up to 80 data characters  |
| Beeper Operation       | 7 tones or no beep  |
| Indicators (LED)       | Blue = unit powered, ready to scan; Blue flash = good read, button activation; 7-segment display = failure diagnostic |

## MECHANICAL

|                            |   |
|----------------------------|---|
| Dimensions (without stand) | 152 mm (6.0") H x 152 mm (6.0") W x 92 mm (3.6") D              |
| Footprint of stand         | 150 mm (5.9") x 133 mm (5.2")                                   |
| Weight                     | 0.7 kg (1.56 lbs)   |
| Termination                | Two 10-pin modular RJ45 jacks, One 6-pin modular RJ45 jack      |
| Cable                      | Standard 2.9m (9.5') straight; for other cables call Metrologic |

## ELECTRICAL

|                   |   |
|-------------------|---|
| Input Voltage     | 12 VDC ± 0.25 V                                 |
| Power             | 3.8 W; 4.8 W (with AUX handheld scanner)        |
| Operating Current | 320 mA; 400 mA (with AUX handheld scanner)      |
| DC Transformers   | Class II; 12 VDC @ 1.25 A                       |
| Laser Class       | IEC 60825-1:1993+A1+A2:EN60825-1:1994+A1+A2     |
| EMC               | FCC part 15, IEC-003, CISPR 22, EN55022 Class B |

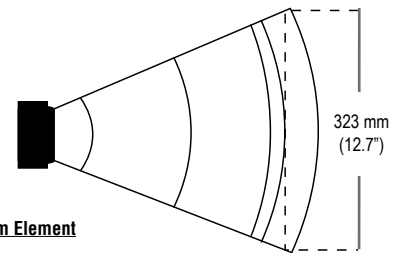
## ENVIRONMENTAL

|                       |   |
|-----------------------|---|
| Operating Temperature | 0°C to 40°C (32°F to 104°F)                 |
| Storage Temperature   | -40°C to 60°C (-40°F to 140°F)              |
| Humidity              | 5% to 95% relative humidity, non-condensing |
| Light Levels          | Up to 4842 Lux (450 foot candles)           |

## SCAN PERFORMANCE

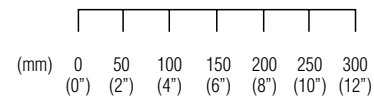
|                     |  |
|---------------------|--|
| Depth of Scan Field | 0 mm – 255 mm (0" – 10") for 0.33 mm (13 mil) bar code |
| Width of Scan Field | 100 mm (4") @ 0 mm; 323 mm (12.7") @ 255 mm (10.0")    |
| Scan Speed          | 1800 scan lines per second                             |
| Scan Pattern        | 5 fields of 4 parallel lines (omnidirectional)         |
| Minimum Bar Width   | 5 mil (0.127 mm)                                       |
| Print Contrast      | 35% minimum reflectance difference                     |
| Pitch, Yaw          | 360°, 60°, 60°   |

## Scan Area



### Bar Code Minimum Element

- 0.132 mm (5.2 mil)
- 0.191 mm (7.5 mil)
- 0.264 mm (10.4 mil)
- 0.330 mm (13 mil)
- 0.660 mm (26 mil)



### Product Colors Available



MS7820 is available in a variety of other colors with minimum quantity purchase.



Metrologic Instruments, Inc. | Worldwide Headquarters  
 90 Coles Road | Blackwood, NJ 08012-4683 | info@metrologic.com  
 Telephone 856-228-8100 | Fax 856-228-6673 | www.metrologic.com

**Asian Headquarters** Tel. 65.6842.7155 info@sg.metrologic.com  
**European Headquarters** Tel. 49.89.89019.0 info@eu.metrologic.com  
**The Americas Headquarters** Tel. 1.800.ID.METRO info@us.metrologic.com



Specifications subject to change without notice. Printed U.S.A Copyright January 2008 Metrologic, all rights reserved.



DS7820